



# IMAGININGS



# TABLE OF CONTENTS

- Introduction..... 2
- Face Brick..... 3
- Residential Brick..... 4
- Thin Brick..... 5
- Special Shapes..... 8
- Pavers..... 9
- Tile..... 11
- Pool Coping..... 13
- Brick Murals..... 14



**High School** – Fairbury, Nebraska  
Architectural Brick



**Lucas Oil Stadium** – Indianapolis, Indiana  
Thin Brick

Front Cover: **Metropolitan State Hospital** – Norwalk, California  
Medium Ironspot #77 Velour and Dark Ironspot Velour Modular Brick



**Library** – Tilden, Nebraska  
Hand-Crafted Murals

## IN PARTNERSHIP WITH THE IMAGINATION

Endicott products serve as the building blocks of the imagination. Giving life to ideas, bringing beauty and functionality to form and raising the level of craftsmanship to new heights. A partnership in the truest sense, Endicott enhances the imaginations of great architects and helps them realize their dreams.

The uniqueness, versatility and quality of Endicott products are legendary for their ability to amplify the design and give shape to the vision. Endicott prides itself on providing designers and builders with a product palette unequaled in the industry.

Available in a myriad of shapes, textures and dazzling colors, Endicott products are nationally recognized for their unmatched elegance and design versatility. Endicott has the raw materials and manufacturing facilities to fire the finest architectural products. You have the imagination. A partnership is in the making.



## FACE BRICK

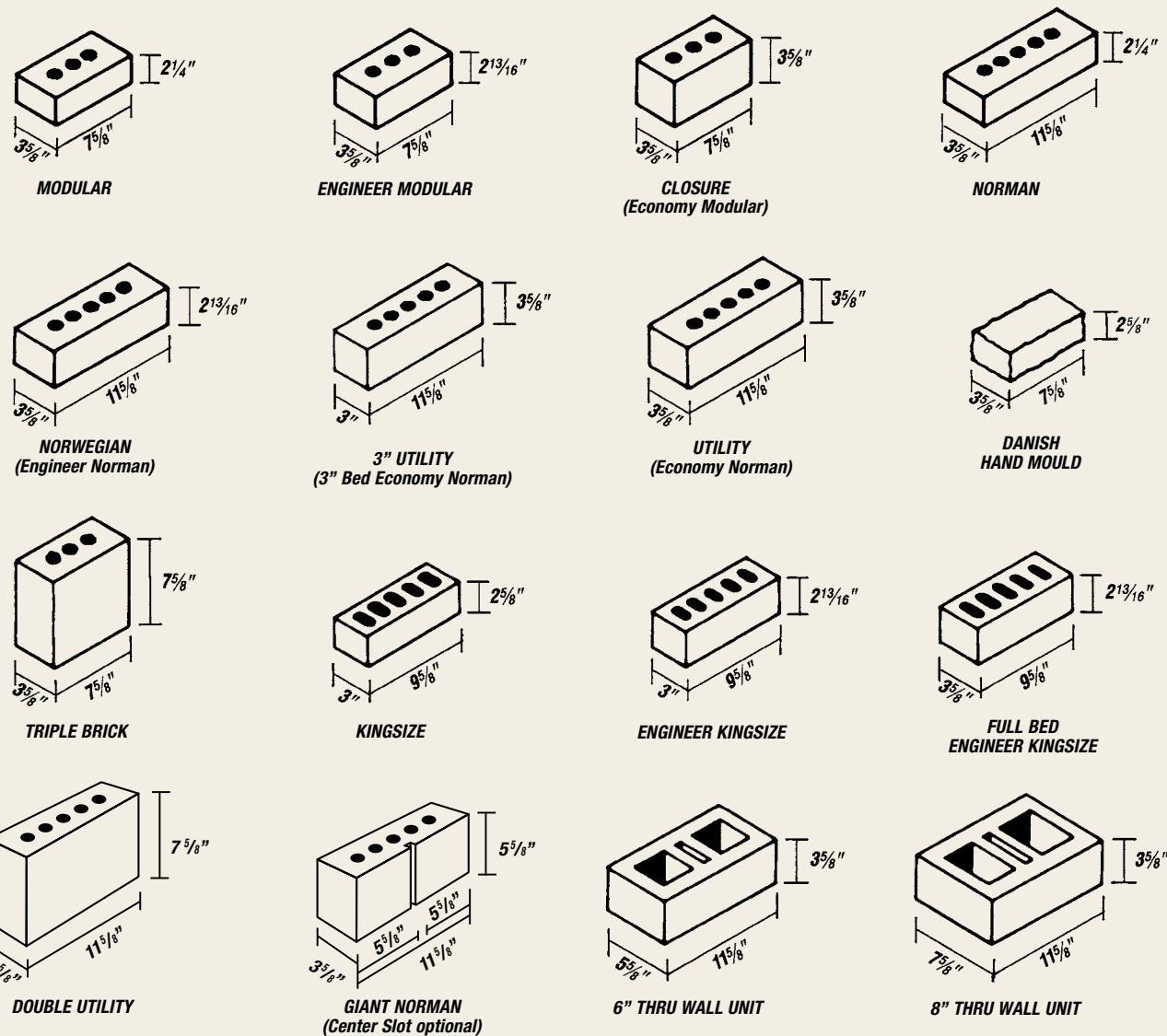
Endicott has a face brick to meet most any design criteria. A variety of colors, including authentic Ironspots and a wide selection of textures and sizes, provides the designer with an array of product selections.

Endicott Clay Products Co and Endicott Tile LLC – Endicott, Nebraska



Private Residence – Omaha, Nebraska  
Medium Ironspot #77 Artisan Modular

## FACE BRICK SIZES AND SPECIFICATIONS



MEDIUM IRONSPOT #77 – ARTISAN TEXTURE

## RESIDENTIAL BRICK

Available in a myriad of colors, enhanced by a choice of accent textures, Endicott brick graces many outstanding residential projects throughout the United States.



Private Residence – Lincoln, Nebraska  
Grey Heritage Modular



**Liberty Plaza** – Pittsburgh, Pennsylvania  
 Medium Ironspot #46 – 1/2" x 3 5/8" x 11 5/8" and Dark Ironspot – 1/2" x 3 5/8" x 11 5/8" 'accent'

## FACE BRICK AND THIN BRICK

Endicott provides you with a wide variety of colors and textures. Face Brick colors are listed here; Thin Brick colors are identified with a **TB**.



**AUTUMN SANDS HERITAGE** – SAND HERITAGE TEXTURE



**RED HERITAGE** – HERITAGE TEXTURE



**ORLEANS SANDS HERITAGE** – SAND HERITAGE TEXTURE



**HERITAGE 46** – HERITAGE TEXTURE



**DESERT SANDS** – SAND TEXTURE



**BURGUNDY SANDS** – SAND TEXTURE



**SAHARA SANDS HERITAGE** – SAND HERITAGE TEXTURE



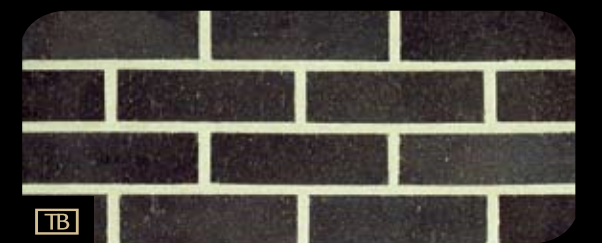
**MERLOT SANDS ANTIQUE** – ANTIQUE TEXTURE (FACE BRICK ONLY)



**GREY SANDS** – SAND TEXTURE



**MEDIUM IRONSPOT #46** – DANISH HAND MOULD (FACE BRICK ONLY)



**MANGANESE IRONSPOT** – VELOUR TEXTURE

## THIN BRICK

Endicott thin brick is ideally suited to year-round commercial, residential and remodeling applications.

Genuine kiln-fired thin brick possesses all the durability and unparalleled elegance of Endicott face brick, yet when installed maximizes space and weighs considerably less.

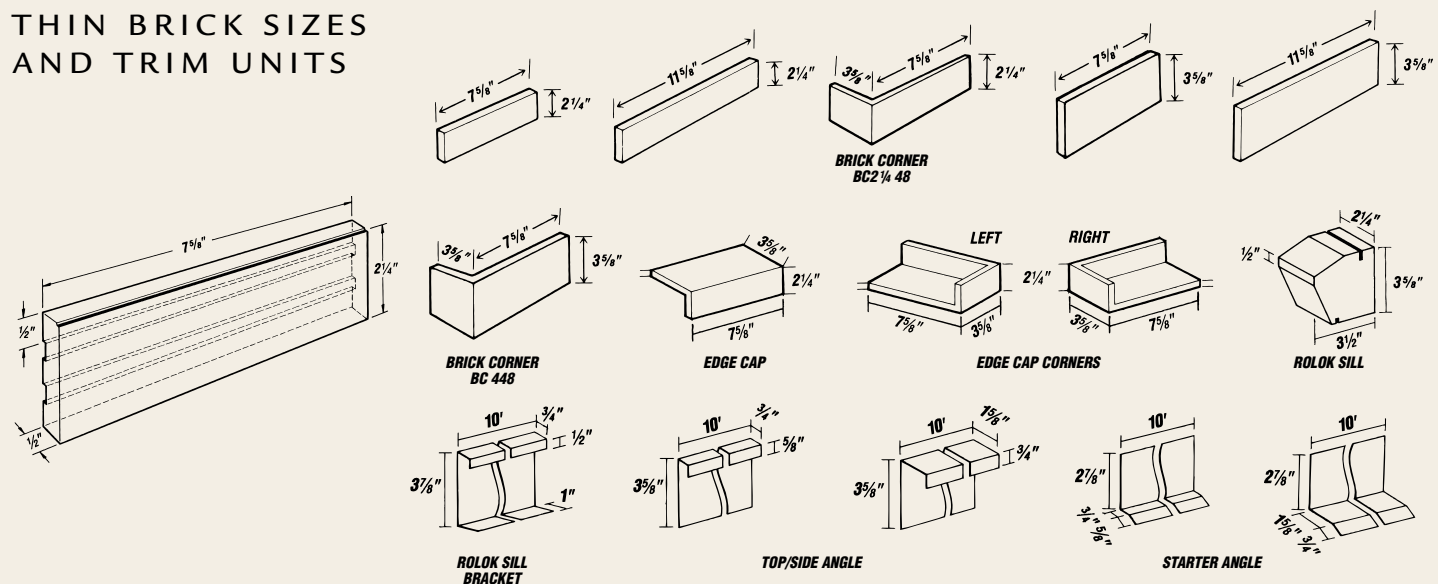
Whether it's new construction or a remodeling project, Endicott thin brick may be applied over any structurally sound substrate. And because no

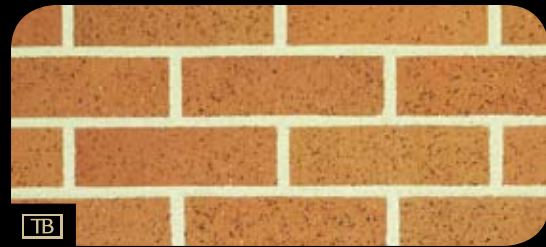
footings or supports are required, the thin brick may extend all the way to grade.

There are a number of prefabricated panel systems available to the industry that can receive the thin brick as factory or job site applied. Reputable installation suppliers have literature that you may obtain for review regarding project applicability.

Meets the requirements of ASTM-C1088 specifications.

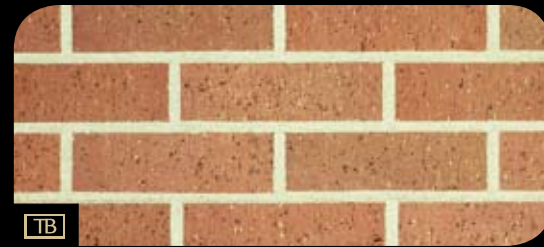
### THIN BRICK SIZES AND TRIM UNITS





TB

**COPPERTONE** – VELOUR TEXTURE



TB

**ROSE BLEND** – VELOUR TEXTURE



TB

**DARK IRONSPOT** – SMOOTH TEXTURE



TB

**MEDIUM IRONSPOT #77** – ARTISAN TEXTURE (FACE BRICK ONLY)



TB

**RED BLEND** – SMOOTH TEXTURE



TB

**DESERT IRONSPOT (LIGHT)** – SMOOTH TEXTURE



TB

**BORDEAUX BLEND** – VELOUR TEXTURE



TB

**GOLDEN BUFF** – VELOUR TEXTURE



TB

**EXECUTIVE IRONSPOT** – VELOUR TEXTURE



**TUSCAN GREY** – HERITAGE TEXTURE

## AVAILABLE TEXTURES

### FACE BRICK

Antique  
Artisan  
Danish Hand Mould  
Matt (not shown)  
Sand  
Sand Heritage

Smooth  
Velour  
Velvetex (not shown)  
Vertical Score (not shown)

### THIN BRICK

Sand  
Sand Heritage  
Smooth  
Velour  
Wirecut

### PAVERS

Wirecut



## SPECIAL SHAPES

Regardless of what's perceived in the mind's eye, Endicott possesses the ability to transform that image into an aesthetically beautiful shape of the highest quality. These shapes, available in colors, textures and sizes to match the face brick, create the benchmark for design flexibility.



# PAVERS

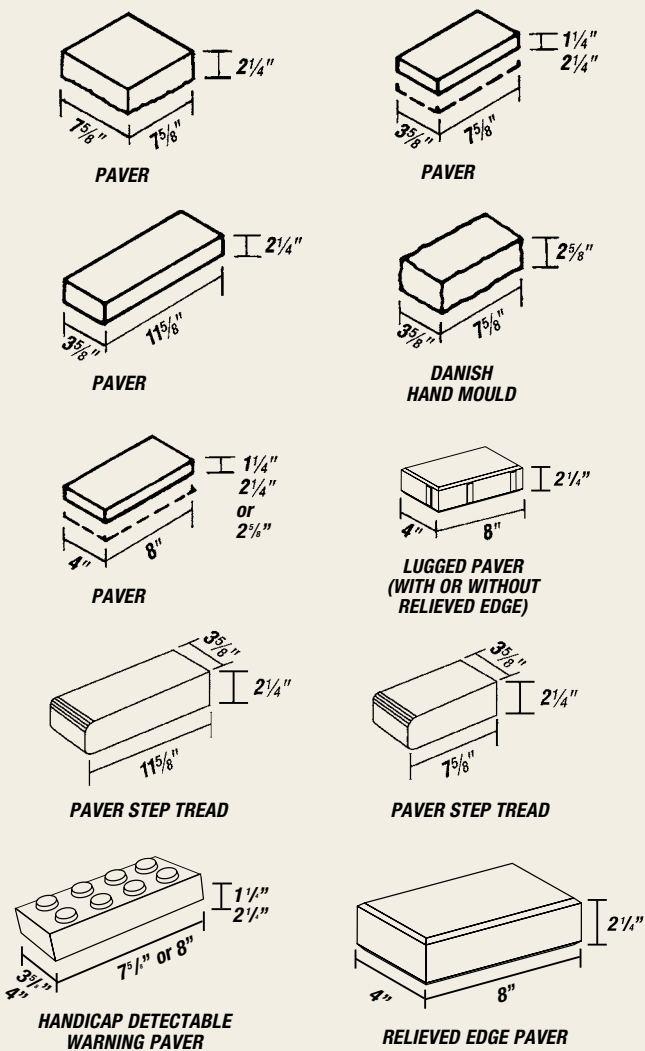
Nationally recognized for their aesthetic beauty and durability, Endicott's complete line of brick pavers gracefully enhances any landscape setting and coordinates perfectly with Endicott's face brick, tile and pool coping units.

Endicott's relieved edge pavers feature beveled edges that make a unique visual presentation. The pavers are set hand-tight or butt joint. Beveled edges create a spaced joint effect yet are not grouted. Small spacings (1/16"-1/8") between units accommodate sand sweepings to keep the units apart and create interlock. They are manufactured to meet ASTM C902, Class SX, Type I, Application PX or ASTM C1272, Type R, Application PX specifications.



**Private Residence** – Boise, Idaho  
Medium Ironspot #77- 2 1/4" x 4" x 8"  
with Dark Ironspot – 2 1/4" x 4" x 8" 'accent'

## PAVER SIZES AND SPECIFICATIONS



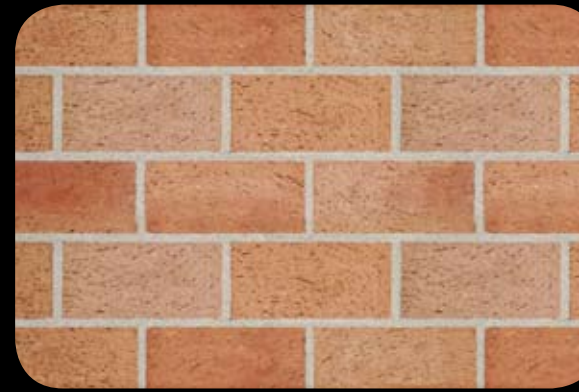
**Private Residence** – Lincoln, Nebraska  
Relieved Edge Pavers



**Handicap Detectable Warning Pavers**

Consult the American Disabilities Act of 1990 Accessibility Guidelines for exact requirements and usage.

# PAVERS (ALL WIRECUT TEXTURES)



**ROSE BLEND**



**MEDIUM IRONSPOT #77**



**MEDIUM IRONSPOT #46**



**COPPERTONE**



**BORDEAUX BLEND**



**DARK IRONSPOT**



**MANGANESE IRONSPOT**

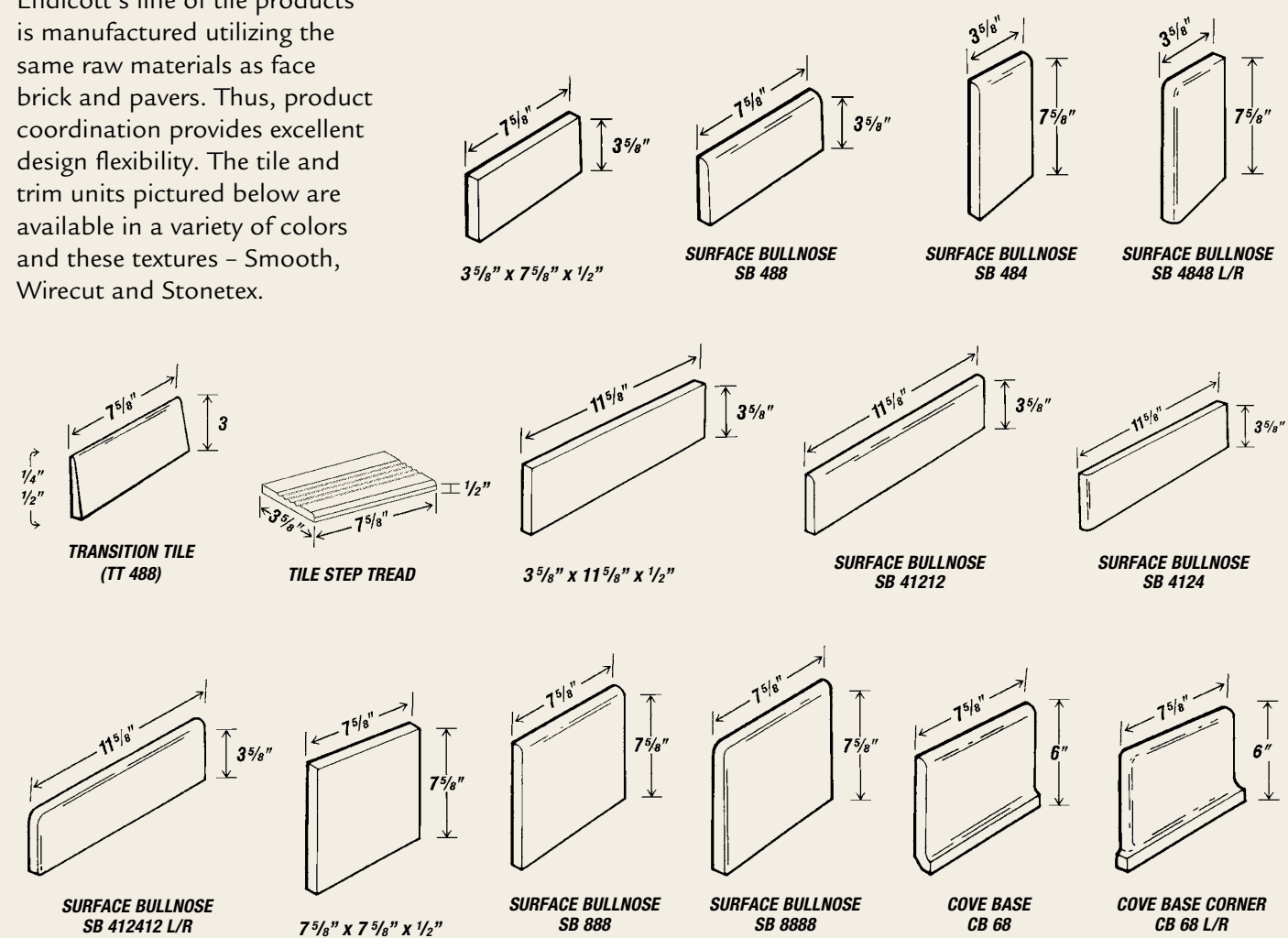


**RED BLEND**

# TILE

Endicott's line of tile products is manufactured utilizing the same raw materials as face brick and pavers. Thus, product coordination provides excellent design flexibility. The tile and trim units pictured below are available in a variety of colors and these textures – Smooth, Wirecut and Stonetex.

## SIZES AND SPECIFICATIONS



# TILE



COPPERTONE



MEDIUM IRONSPOT #77



MEDIUM IRONSPOT #46



DESERT IRONSPOT



MANGANESE IRONSPOT



RED BLEND



ROSE BLEND

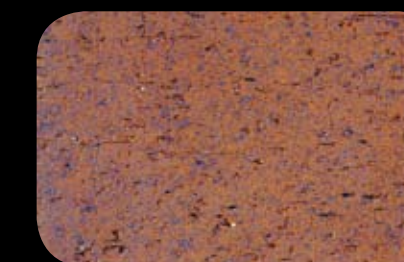


DARK IRONSPOT

## TILE TEXTURES



SMOOTH TEXTURE



WIRECUT TEXTURE



STONETEX TEXTURE



Office Plaza – Pittsburgh, Pennsylvania  
Coppertone Smooth –  $1/2'' \times 3\frac{5}{8}'' \times 7\frac{5}{8}''$



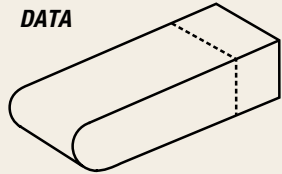
Fashion Valley Mall – San Diego, California  
Rose Blend Wirecut –  $1/2'' \times 3\frac{5}{8}'' \times 7\frac{5}{8}''$   
and Dark Ironspot Wirecut texture –  $1/2'' \times 3\frac{5}{8}'' \times 7\frac{5}{8}''$

## POOL COPING

Applications for this unit are limited only by the imagination. In addition to swimming pools, other unique applications include step nosing and decorative accents on windows, fireplace mantels and hearths.

Pool coping units are available in colors to coordinate with Endicott pavers and tile.

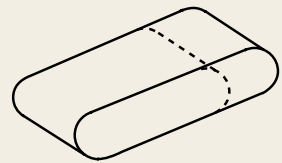
### ESTIMATING DATA



#### POOL COPING:

*actual size* – 2 1/4" x 3 5/8" x 9"  
*metric size* – 57 x 92 x 228  
*weight per unit* – 6#  
*no. per linear ft.* – 3

*actual size* – 2 1/4" x 3 5/8" x 11 5/8"  
*metric size* – 57 x 92 x 295  
*weight per unit* – 7.5#  
*no. per linear ft.* – 3



#### POOL COPING DOUBLE BULLNOSE:

*actual size* – 2 1/4" x 3 5/8" x 9"  
*metric size* – 57 x 92 x 228  
*weight per unit* – 6#  
*no. per linear ft.* – 3

*actual size* – 2 1/4" x 3 5/8" x 11 5/8"  
*metric size* – 57 x 92 x 295  
*weight per unit* – 7.5#  
*no. per linear ft.* – 3



First Community Bank – Reedsburg, Wisconsin



St. Louis Arch – St. Louis, Missouri



Private Residence - Fairbury, Nebraska

## BRICK MURALS

Imagine the majesty of hand-crafted brick murals that capture the energetic vitality of life itself, all reproduced in authentic Ironspot colors that defy description. With visionary flair, Endicott continues to sculpt a reputation for producing works of art that are truly distinctive.





SINCE 1920



Endicott has been building one success story after another all across the U.S.

The unique clays found only in Jefferson County, Nebraska, make it possible for Endicott to produce a wide variety of face brick, pavers, tile, thin brick and special shapes that are nationally recognized for their quality and aesthetic beauty.

Endicott products are distributed throughout the United States. For literature, samples and the name of your nearest distributor, contact Endicott today.

Endicott Clay Products Co  
P.O. Box 17  
Fairbury, Nebraska USA 68352  
402/729-3315 FAX: 402/729-5804

Endicott Tile LLC  
P.O. Box 645  
Fairbury, Nebraska USA 68352  
402/729-3323 FAX: 402/729-5804

endicott@endicott.com  
endicott.com



Try our new  
Masonry Designer  
and Virtual Mason  
now at [endicott.com](http://endicott.com)