



H.C. MUDDOX

a division of PABCO  
building products, LLC

# Commercial Series



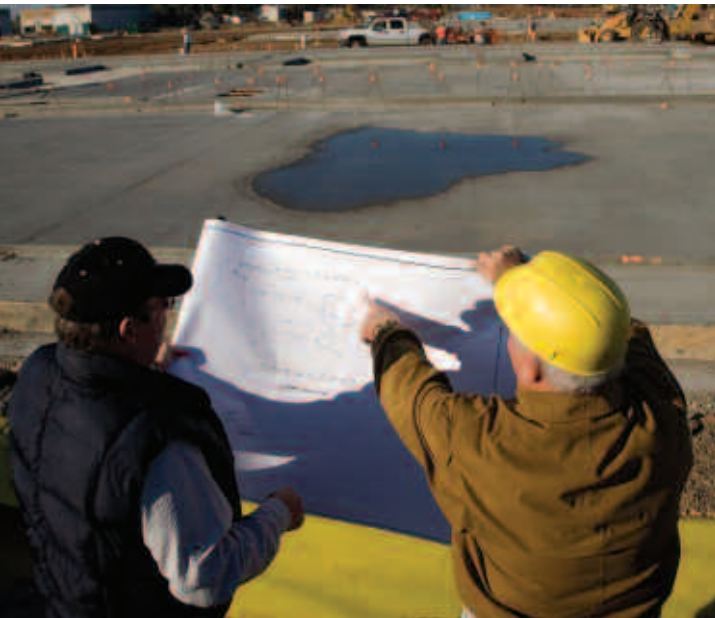
[www.hcmuddox.com](http://www.hcmuddox.com)

# Introduction



## Attention To Details

Founded in 1878 HC Muddox has taken its vast, rich clay reserves and created some of California's most historic structures. This time-honored craftsmanship and expertise handed down from generations, combined with modern technology, has produced exceptional clay brick products that will last for years to come. Our long history and reputation is the result of working hand-in-hand with the customer every step of the way. As a partner in your project, our foremost goal is to listen to your needs ensuring satisfaction from conception to completion.



## The Versatility Of Brick

H.C. Muddox assists architects, owners and contractors in selecting the right product for the job. Whether it's Thin Brick, Face Brick, Structural Brick or Paving Products that your project requires, H.C. Muddox is ready to assist you in your selection and guide you through the process of design and application.



## Details Every Step Of The Way

H.C. Muddox provides the designer with quality products and outstanding service. In continuing that tradition, we have on staff engineers that work closely with architects to provide efficient and effective solutions for their projects. Our AutoCAD design programs allow us to model alternatives and help select the most appropriate products.

# AT&T Park

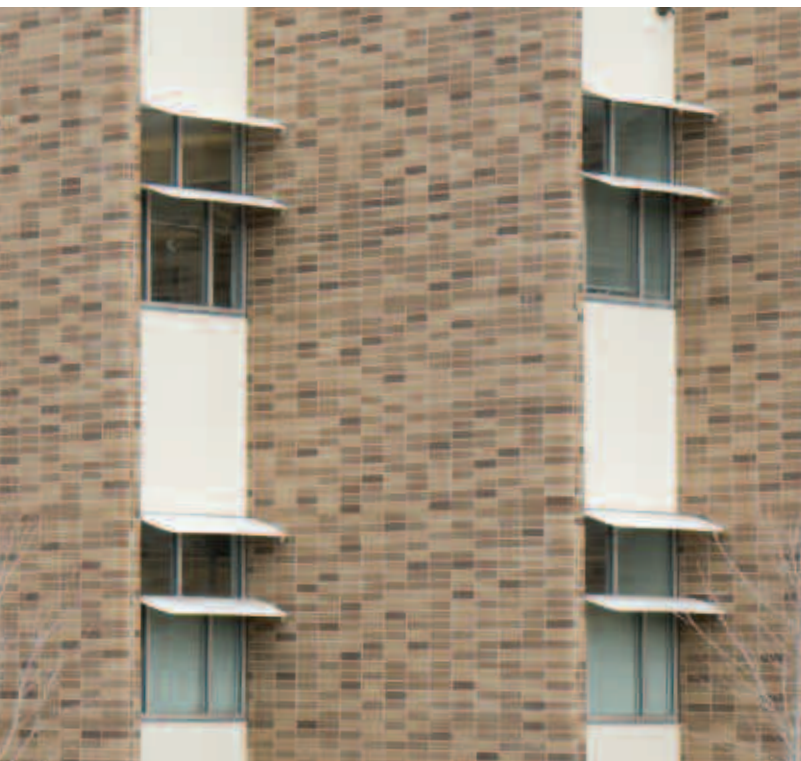


San Francisco, CA | Architect: H O K Sport | Color: Blend of Old Town Red and Mountain Rose

Nestled on the China Basin waterfront between the old warehouse district and the bay on Third and King streets, AT&T Park, home of the Giants, has created quite a buzz. Fans enjoy an intimate atmosphere with some of the 40,000 seats as close as 48 feet from the foul lines. The ballpark is turned away from the westerly winds, allowing more night games. A public promenade along the waterfront and cutouts in the right-field wall offer the public a free glimpse into the ballpark reminiscent of the old knot-hole gang days. From inside the stadium, fans have a spectacular view of the Bay Bridge, the San Francisco skyline, and the chance to actually see a home run splash into the water.

Another characteristic of the park that stands out is the brick-lined façade along King Street. Wanting the stadium to look like it had been on the China Basin forever, the architects chose H.C. Muddox, a leading manufacturer of clay brick products founded in 1878, to manufacture the nearly 700,000 brick needed for the exterior. The brick chosen was a 1" x 2 1/4 x 7 5/8 for pre-cast concrete in a mix of 70% Old Town Red wire-cut and 30% Mountain Rose with an accent of our Ebony brick. The stadium's H.C. Muddox red brick exterior responds to the architecture of the surrounding neighborhood maintaining the character of the city and ensuring that San Francisco continues to be an architecturally unique place.

# Vacaville Police Station



Vacaville, California | Architect: Indigo/Hammond & Playle | Color: Custom Blend

# San Joaquin County Hospital



Stockton, California | Architect: Stone, Marraccini and Patterson | Color: Tumbleweed with custom highlights

# Garden Villa Shopping Center



Chico, California | Architect: Bud Clay | Color: Railroad Blend

# Santa Rosa Junior College Parking Structure



Santa Rosa, California | Architect: BSA | Color: Old Town Red, Burnt Rose and Mountain Rose

# Color Samples



FROSTED ALMOND



TUMBLEWEED



MOUNTAIN ROSE



SUTTER GOLD



SPANISH MOSS



OLD TOWN RED WIRE CUT



SUMMER WHEAT



SIERRA SLATE



BURNT ROSE



AUTUMN WHEAT



DUSTY ROSE



CAROB



Additional colors are available, please see the H.C. Muddox Residential and Color Selector brochures. NOTE: Printed colors shown in this brochure may vary from actual brick samples. We recommend color selection be made from actual brick samples.



EBONY



MISSION HILLS



IRON MOUNTAIN



MONTEREY BAY FLASHED



IRON SPOT



BRONZE RIDGE



CALIFORNIA ROSE



TULE FOG



COMMON SELECT



RAILROAD BLEND



MISSION COMMON

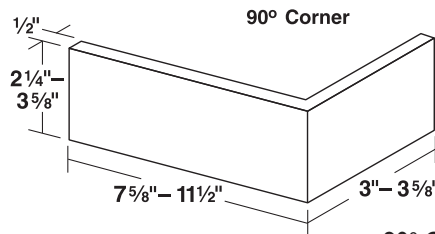
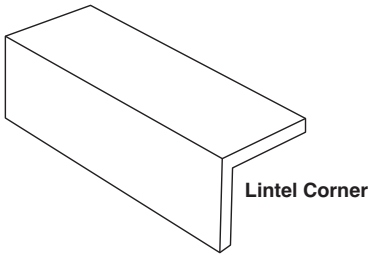
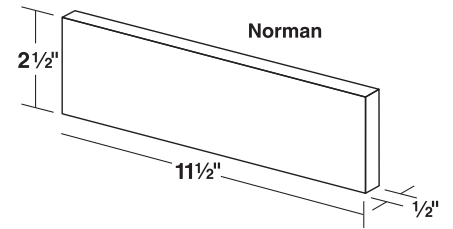
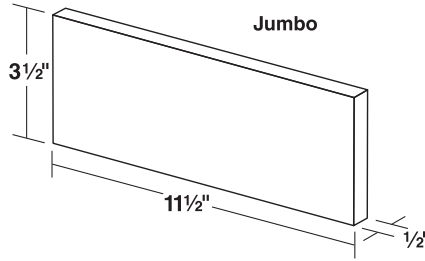
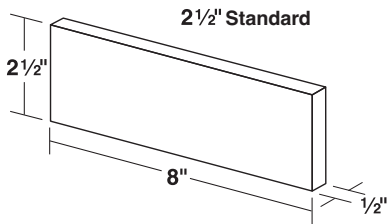
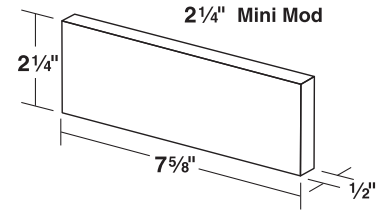
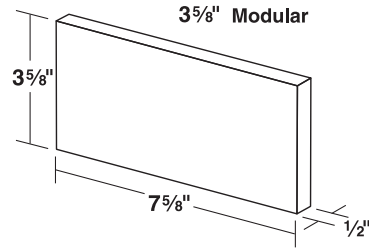


OLD SACRAMENTO BLEND

# Technical Specifications

## Thin Brick

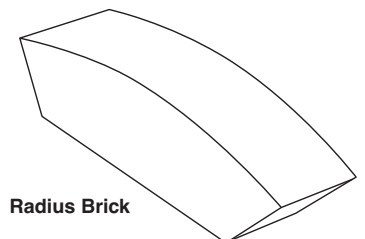
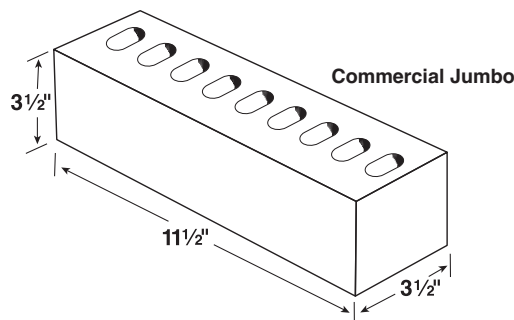
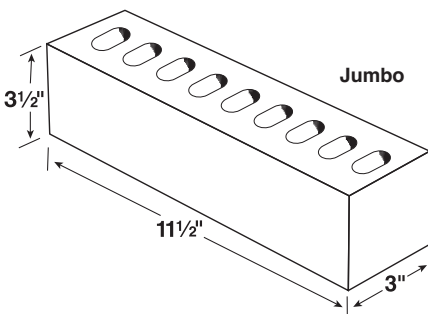
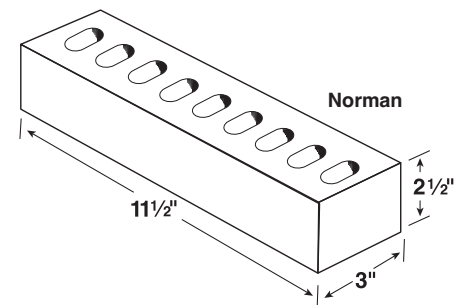
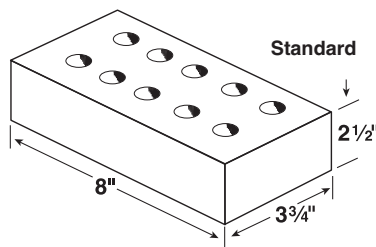
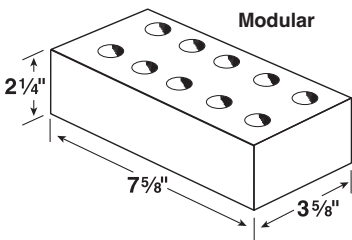
Muddox Thin Brick™ is manufactured to meet or exceed ASTM C-1088 TBS SW.



90° Corners to match all sizes.  
105° Corner 1" thick.

## Face Brick

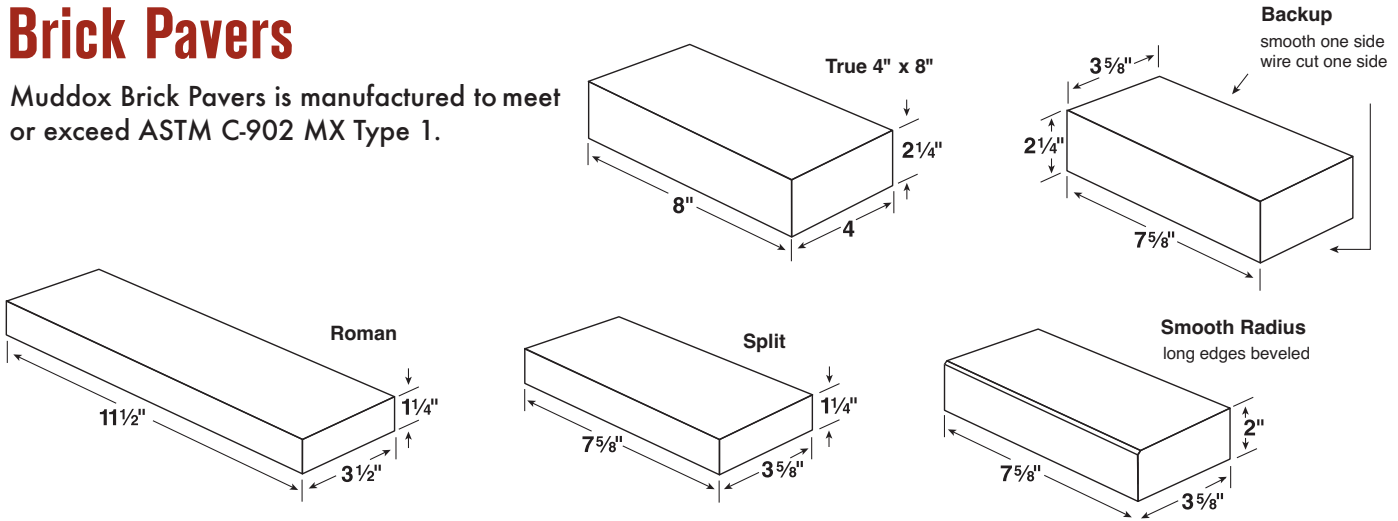
Muddox Face Brick is manufactured to meet or exceed ASTM C-216 FBS SW. All sizes also available in solids.



# Technical Specifications

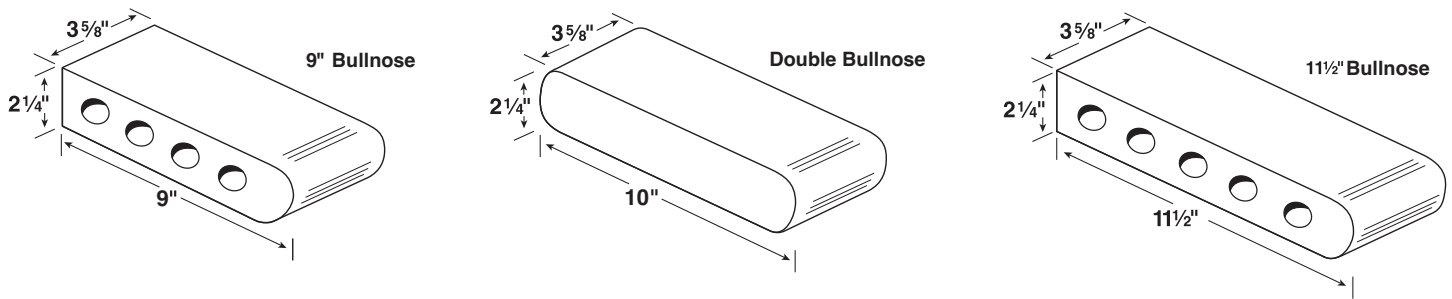
## Brick Pavers

Muddox Brick Pavers is manufactured to meet or exceed ASTM C-902 MX Type 1.



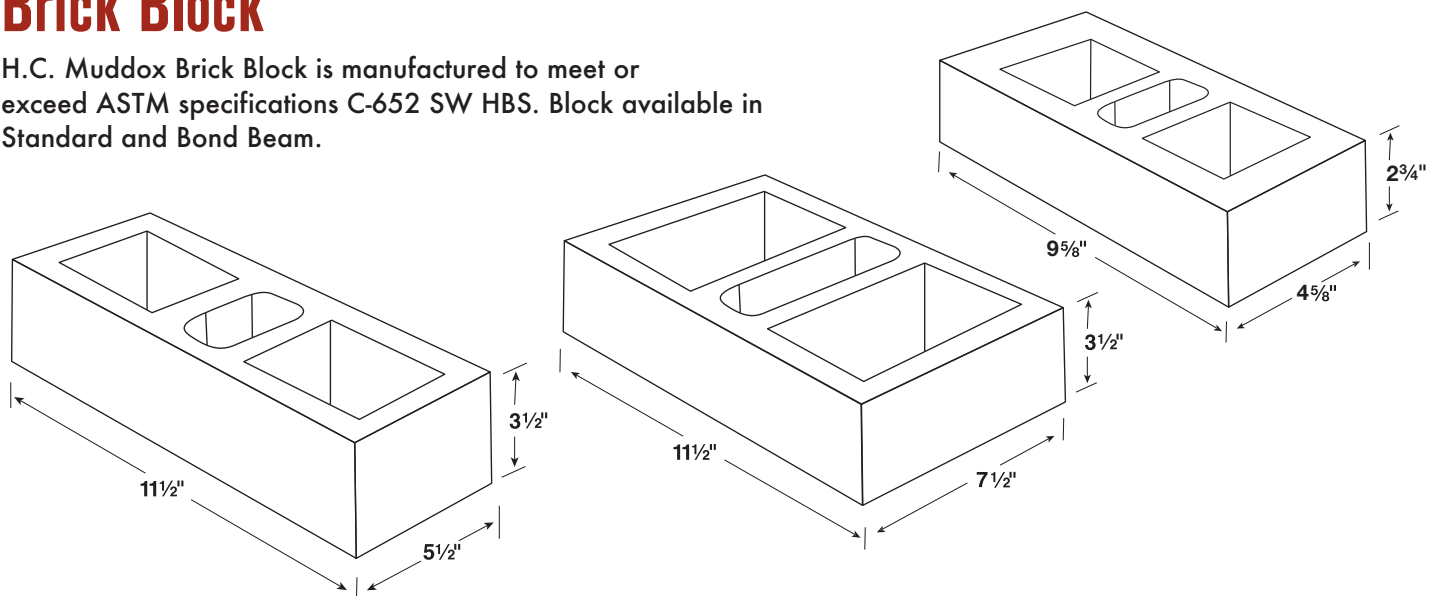
## Bull Nose Brick

Muddox Bull Nose Brick is manufactured to meet or exceed ASTM C-902 MX Type 1.



## Brick Block

H.C. Muddox Brick Block is manufactured to meet or exceed ASTM specifications C-652 SW HBS. Block available in Standard and Bond Beam.



# Sacramento Fire Station No. 5



Sacramento, California | Architect: RRM Design Group | Color: Old Town Red and Ebony

# Dixon High School



Dixon, California | Architect: Murray & Downs | Color: Old Town Red and Spanish Moss

# The Gap HQ/Creekside Elementary



Top, The Gap: San Francisco, CA | Architect: Robert A. M. Stern | Color: Custom Color  
Bottom, Creekside Elementary: Stockton, CA | Architect: Stafford King & Associate | Color: Adobe Stone and Sierra Slate for the trim

# Our Plant



Our success depends on keeping pace with change and responding to our customers needs. Our plant is designed to be flexible throughout our manufacturing process ensuring the right products for the job. Our manufacturing facility is geared to both small and large production runs. H.C. Muddox also specializes in producing unique shapes as well as providing color matching of existing buildings for additions and restoration projects.



Roseville, CA | Architect: Williams and Paddon | Color: Dusty Rose

 **H.C. MUDDOX**  
**INTERSTATE® BRICK**  
a division of PABCO

Distributed by:

H.C. MUDDOX  
4875 Bradshaw Road  
Sacramento, CA 95827-9727  
Call Toll-Free: (800) 776-1244  
Fax: (916) 362-9182  
[www.hcmuddox.com](http://www.hcmuddox.com)

INTERSTATE BRICK  
9780 South 5200 West  
West Jordan, UT 84088-5625  
Call Toll-Free: (800) 233-8654  
Fax: (801) 280-5220  
[www.interstatebrick.com](http://www.interstatebrick.com)