



table of contents

outdoor product specifications

48" PROFESSIONAL GRILL	26
36" PROFESSIONAL GRILL	28
30" PROFESSIONAL GRILL	30
OUTDOOR KITCHEN ESSENTIALS	32
OUTDOOR KITCHEN ACCESSORIES	40



48" Professional Grill

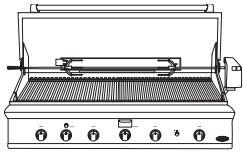


BGB48-BQAR 48" Grill with Rotisserie and optional cart
BGB48-BQR 48" Grill with Rotisserie and Integrated Sealed Side Burners (as shown)

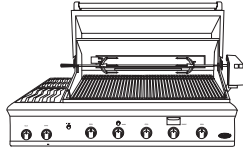
The ultimate in outdoor cooking. This fully featured grill delivers professional performance and delicious results. Precision ported, U-shaped 304 grade stainless steel burners rated at 25,000 Btu's per burner offer powerful performance and control. The patented Smart Beam® grill light perfects grilling at night with a 50-watt halogen light integrated into the patented rotisserie motor that is capable of illuminating the entire grilling surface. Our patented Grease Management System® reduces flare-ups by effectively channeling oil and grease away from the flame while grilling. A 9-volt Battery Ignition ensures safe and efficient grill lighting every time and Double-Sided Cast 304 Grade Stainless Steel Grilling Grates feature one side with a gentle radius for support and handling while the other side is W-shaped for maximum grease capture while leaving perfect sear lines. Ceramic Radiant Technology provides intense, even heat. The Dedicated Infrared Rotisserie Burner supplies controllable searing heat. The heavy-duty Rotisserie Motor with Stainless Steel Rod and Forks can accommodate up to 50 pounds. Patented design features of the grill are complemented by the DCS original styled cart with robust side shelf supports, drop-in serving trays, exclusive wheel hub cap design, and large storage drawers.

ADDITIONAL FEATURES:

- Smoker tray with dedicated 3,500-Btu burner
- Removable stainless steel warming rack
- Optional integrated sealed side-burners
- Available for built-in or on cart applications
- Designer metal control knobs
- Removable stainless steel drip tray



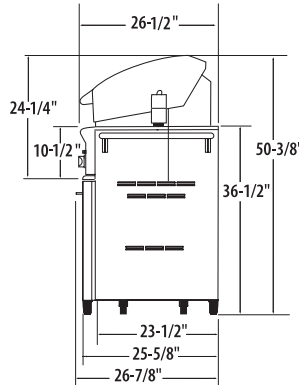
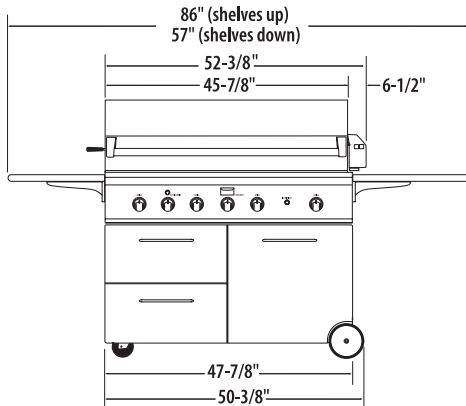
BGB48-BQAR



BGB48-BQR

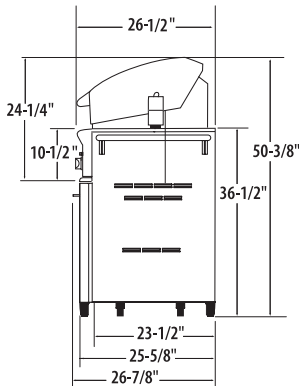
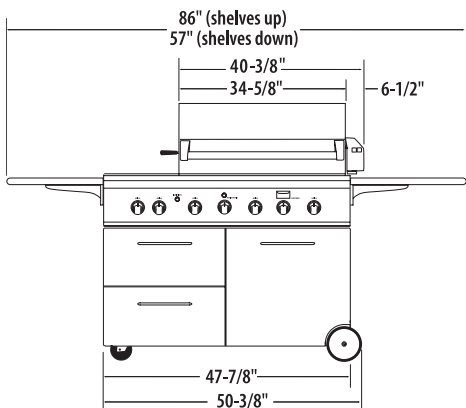
48" Grill Dimensions (with optional grill cart)

Grill Model: BGB48-BQAR
Cart Model: BGA48-CSS



48" Grill Dimensions (with optional grill cart)

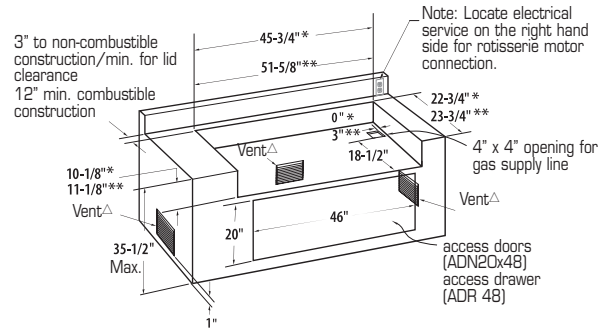
Grill Model: BGB48-BQR
Cart Model: BGA48-CSS



MODEL NUMBER	BGB48-BQAR	BGB48-BQR
TOTAL GRILLING AREA	823 SQ. INCHES	638 SQ. INCHES
GRILL BURNERS	4 @ 25,000 BTU/HR	3 @ 25,000 BTU/HR
INTEGRATED SIDE BURNERS		2 @ 17,000 BTU/HR
INTEGRATED ROTISSERIE BURNER	18,000 BTU/HR	14,000 BTU/HR
SMOKER BURNER	3,500 BTU/HR	3,500 BTU/HR
DOUBLE-SIDED GRILL GRATES	304 GRADE STAINLESS STEEL	304 GRADE STAINLESS STEEL
GREASE MANAGEMENT SYSTEM*	✓	✓
SHIPPING WEIGHT (GRILL HEAD)	365 LBS.	345 LBS
SHIPPING WEIGHT (OPTIONAL CART)	130 LBS.	130 LBS.
SHIPPING DIMENSIONS (HEIGHT X WIDTH X DEPTH)	32" X 52" X 31-1/2"	32" X 52" X 31-1/2"

48" Grill Island Preparation

Grill Models: BGB48-BQAR/BGB48-BQR



- * Standard cut-out dimensions for non-combustible enclosure
- ** Insulated jacket cut-out dimensions for combustible enclosure
- △ Island installation to use minimum of 3 vents providing 10 square inches per vent (typical)

Ordering Data:

Please specify gas type (natural or propane) when ordering

Gas Requirements:

Natural

- 1/2" NPT male with a 3/8" flare adapter
- Operational Pressure: 4" W.C.
- Supply Pressure: 6" to 9" W.C.

Propane

- 1/2" NPT male with a 3/8" flare adapter
- LP hose with a quick disconnect & fitting are shipped connected
- Operational Pressure: 10" W.C.
- Supply Pressure: 11" to 14" W.C.

Power Requirements:

- 120V 60Hz for models with Rotisserie Motor.

Island Ventilation Requirements:

It is recommended that adequate ventilation holes must be provided in the base of an enclosure in the event of a gas leak.

Grill Placement:

DO NOT build grill under overhead unprotected combustible construction. Use only in well-ventilated areas. These units are for outdoor use only. If located in a consistently windy area (oceanfront, mountaintop, etc.) a wind break will be required.

Conversion Kits:

NG to LP and LP to NG conversion kits are available from your dealer.

Accessories

- Stainless Steel Grill Cart
- Single or double side-burners for built-in application
- Stainless Steel Access Doors for built-in application
- Stainless Steel Access Drawers for built-in application
- Insulated Jacket for built-in application
- Grilling Tool Set
- Corian® or Maple Chopping Board that fits in cart side-shelf
- Drop-on Griddle Plate
- Vinyl Grill Cover
- Wok and Wok Ring for use on Side Burners

We encourage you to find out more about these features and learn how they can make your cooking experience more enjoyable by visiting our learning page at: www.dcsappliances.com.

Because of continuing product improvement these specifications are subject to change without notice.

36" Professional Grill

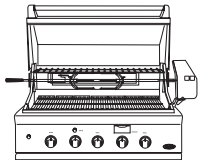


BGB36-BQAR 36" Grill with Rotisserie and optional cart (as shown)

Tired of trying to find the hot spot? DCS allows you to control the power of your grill as precisely as you've always dreamed. Precision ported, U-shaped 304 grade stainless steel burners rated at 25,000 Btu's per burner offer powerful performance and control. The patented Smart Beam® grill light perfects grilling at night with a 50-watt halogen light integrated into the rotisserie motor that is capable of illuminating the entire grilling surface. Our patented Grease Management System® reduces flare-ups by effectively channeling oil and grease away from the flame while grilling. A 9-volt Battery Ignition insures safe and efficient grill lighting every time and Double-Sided Cast 304 Grade Stainless Steel Grilling Grates feature one side with a gentle radius for support and handling while the other side is W-shaped for maximum grease capture while leaving perfect sear lines. Ceramic Radiant Technology provides intense, even heat. The Dedicated Infrared Rotisserie Burner supplies controllable searing heat. The heavy-duty Rotisserie Motor with Stainless Steel Rod and Forks can accommodate up to 50 pounds. Patented design features of the grill are complemented by the DCS original styled cart with unique robust side shelf supports, drop-in serving trays, exclusive wheel hub cap design, and large storage drawers.

ADDITIONAL FEATURES:

- Smoker tray with dedicated 3,500-Btu burner
- Removable stainless steel warming rack
- Available for built-in or on cart applications
- Designer metal control knobs
- Removable stainless steel drip tray

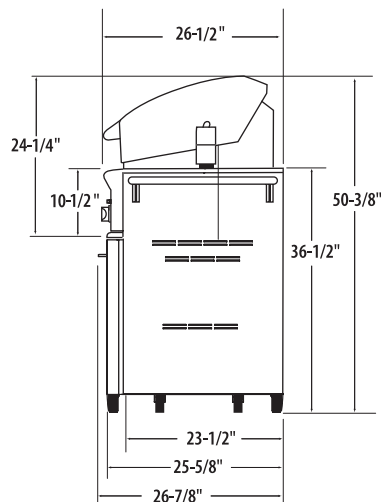
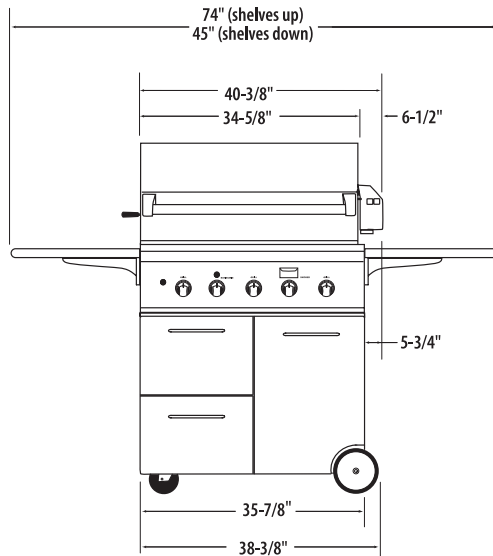


BGB36-BQAR

36" Grill Dimensions (with optional grill cart)

Grill Model: BGB36-BQAR

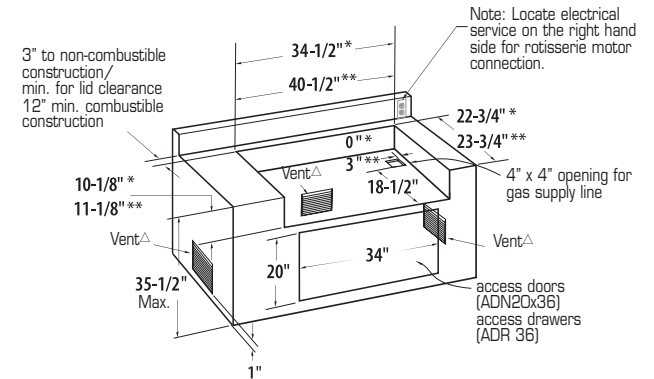
Cart Model: BGA36-CSS



MODEL NUMBER	BGB36-BQAR
TOTAL GRILLING AREA	638 SQ. INCHES
GRILL BURNERS	3 @ 25,000 BTU/HR
INTEGRATED ROTISSERIE BURNER	14,000 BTU/HR
SMOKER BURNER	3,500 BTU/HR
DOUBLE-SIDED GRILL GRATES	STAINLESS STEEL
GREASE MANAGEMENT SYSTEM®	✓
SHIPPING WEIGHT (GRILL HEAD)	284 LBS.
SHIPPING WEIGHT (OPTIONAL CART)	110 LBS.
SHIPPING DIMENSIONS (HEIGHT X WIDTH X DEPTH)	31" X 40" X 31-1/2"

36" Grill Island Preparation

Grill Models: BGB36-BQAR



* Standard cut-out dimensions for non-combustible enclosure

** Insulated jacket cut-out dimensions for combustible enclosure

△ Island installation to use minimum of 3 vents providing 10 square inches per vent (typical).

Ordering Data:

Please specify gas type (natural or propane) when ordering

Gas Requirements:

Natural

- 1/2" NPT male with a 3/8" flare adapter
- Operational Pressure: 4" W.C.
- Supply Pressure: 6" to 9" W.C.

Propane

- 1/2" NPT male with a 3/8" flare adapter
- LP hose with a quick disconnect & fitting are shipped connected
- Operational Pressure: 10" W.C.
- Supply Pressure: 11" to 14" W.C.

Power Requirements:

- 120V 60Hz for models with Rotisserie Motor.

Island Ventilation Requirements:

It is recommended that adequate ventilation holes must be provided in the base of an enclosure in the event of a gas leak.

Grill Placement:

DO NOT build grill under overhead unprotected combustible construction. Use only in well-ventilated areas. These units are for outdoor use only. If located in a consistently windy area (oceanfront, mountaintop, etc.) a wind break will be required.

Conversion Kits:

NG to LP and LP to NG conversion kits are available from your dealer.

Accessories

- Stainless Steel Grill Cart
- Single or double side-burners for built-in application
- Stainless Steel Access Doors for built-in application
- Stainless Steel Access Drawers for built-in application
- Insulated Jacket for built-in application
- Grilling Tool Set
- Corian® or Maple Chopping Board that fits in cart side-shelf
- Drop-on Griddle Plate
- Vinyl Grill Cover
- Wok and Wok Ring for use on Side Burners

We encourage you to find out more about these features and learn how they can make your cooking experience more enjoyable by visiting our learning page at: www.dcsappliances.com.

Because of continuing product improvement these specifications are subject to change without notice.

30" Professional Grill

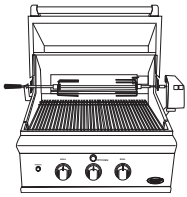


BGB30-BQR 30" Grill with Rotisserie, optional sealed side burner and cart (as shown)

Exceptional performance with two W-shaped Stainless Steel Burners rated at 25,000 Btu's per burner, the patented Smart Beam® grill light perfects grilling at night with a 50-watt halogen light integrated into the rotisserie motor that is capable of illuminating the entire grilling surface. A 9-volt Battery Ignition for safe and efficient grill lighting every time and durable, weatherproof rod-shaped Stainless Steel Grilling Grates. The Dedicated Infrared Rotisserie Burner supplies controllable searing heat. The heavy-duty Rotisserie Motor with Stainless Steel Rod and Forks can accommodate up to 50 pounds. Ceramic Radiant Technology provides intense, even heat. Patented design features of the grill are complemented by the DCS original styled cart with unique robust side shelf support, drop-in serving trays, and exclusive wheel hub cap design.

ADDITIONAL FEATURES:

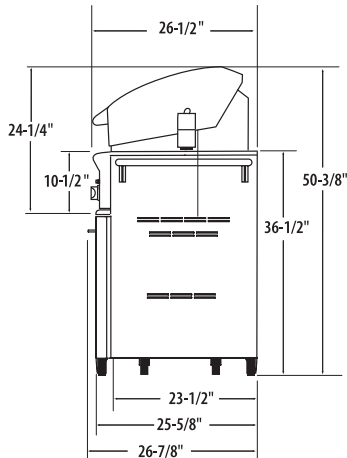
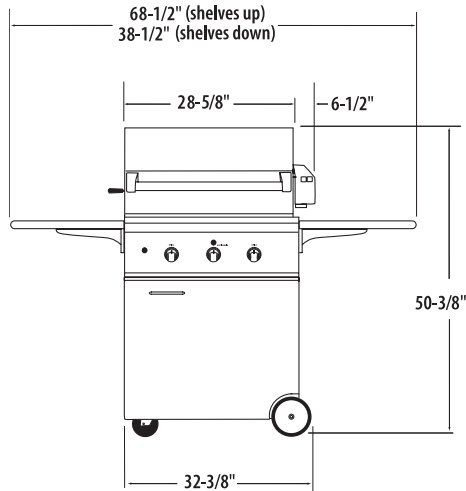
- Removable stainless steel warming rack
- Designer metal control knobs
- Removable stainless steel drip tray
- Available for built-in or on cart applications
- Optional stainless steel grill cart
- Optional additional side shelf



BGB30-BQR

30" Grill Dimensions (with optional grill cart)

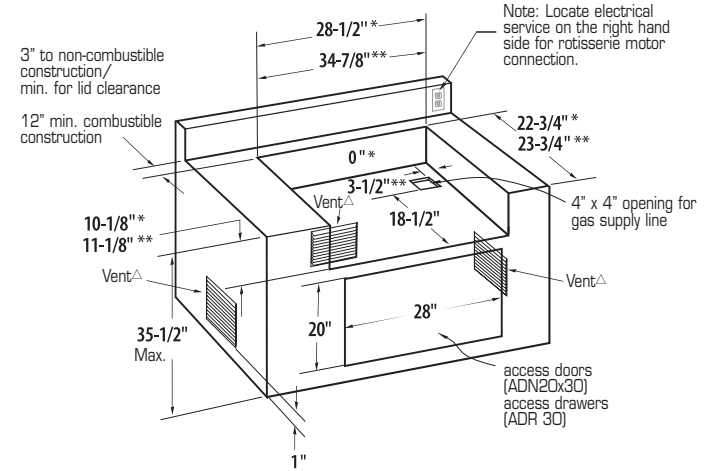
Grill Model: BGB30-BQR
Cart Model: BGA30-CSS



MODEL NUMBER	BGB30-BQR
TOTAL GRILLING AREA	565 SQ. INCHES
GRILL BURNERS	2 @ 25,000 BTU/HR
OPTIONAL SIDE BURNER (CART MOUNT)	1 OR 2 @ 17,000 BTU/HR
INTEGRATED ROTISSERIE BURNER	1 @ 14,000 BTU/HR
GRILL GRATES	STAINLESS STEEL
SHIPPING WEIGHT (GRILL HEAD)	164 LBS.
SHIPPING WEIGHT (OPTIONAL CART)	95 LBS.
SHIPPING DIMENSIONS (HEIGHT X WIDTH X DEPTH)	28" X 32-1/2" X 29-1/2"

30" Grill Island Preparation

Grill Models: BGB30-BQR



* Standard cut-out dimensions for non-combustible enclosure
** Insulated jacket cut-out dimensions for combustible enclosure
△ Island installation to use minimum of 3 vents providing 10 square inches per vent (typical).

Ordering Data:

Please specify gas type (natural or propane) when ordering

Gas Requirements:

Natural

- 1/2" NPT male with a 3/8" flare adapter
- Operational Pressure: 4" W.C.
- Supply Pressure: 6" to 9" W.C.

Propane

- 1/2" NPT male with a 3/8" flare adapter
- LP hose with a quick disconnect & fitting are shipped connected
- Operational Pressure: 10" W.C.
- Supply Pressure: 11" to 14" W.C.

Power Requirements:

- 120V 60Hz for models with Rotisserie Motor.

Island Ventilation Requirements:

It is recommended that adequate ventilation holes must be provided in the base of an enclosure in the event of a gas leak.

Grill Placement:

DO NOT build grill under overhead unprotected combustible construction. Use only in well-ventilated areas. These units are for outdoor use only. If located in a consistently windy area (oceanfront, mountaintop, etc.) a wind break will be required.

Conversion Kits:

NG to LP and LP to NG conversion kits are available from your dealer.

Accessories

- Stainless Steel Grill Cart
- Single or double side-burners for built-in application
- Stainless Steel Access Doors for built-in application
- Stainless Steel Access Drawers for built-in application
- Insulated Jacket for built-in application
- Grilling Tool Set
- Corian® or Maple Chopping Board that fits in cart side-shelf
- Drop-on Griddle Plate
- Vinyl Grill Cover
- Wok and Wok Ring for use on Side Burners

We encourage you to find out more about these features and learn how they can make your cooking experience more enjoyable by visiting our learning page at: www.dcsappliances.com.

Because of continuing product improvement these specifications are subject to change without notice.

Professional Sealed Side Burners



BGB132-BI Double Side Burners, Built-in (as shown)

Every chef wants the option of preparing a delicious side dish to accompany a culinary masterpiece. For this, DCS offers Professional Sealed Side Burners for built-in application and for 30" grill cart mount application. Constructed of heavy 304 grade stainless steel, DCS side burners rated at a powerful 17,000 Btu's, are available in single or double burner configurations. Features include battery ignition, stainless steel grate cover and, of course, the same sleek design as DCS professional grills.

ADDITIONAL FEATURES:

- Stainless steel grate cover included
- Removable stainless steel drip tray
- Designer metal control knobs
- See page 33 for available configurations

Outdoor Warming Drawer

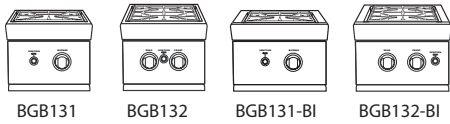


WD-27-SS-OD 27" Outdoor Warming Drawer (as shown)

Keep cooked foods perfectly warm until dinner is completely ready with the DCS Outdoor Warming Drawer. The unique deep drawer design welcomes larger items including 6 standard-sized dinner plates stacked side by side. With an expansive 1.6 cubic feet of space, thermostatically controlled temperature ranges from 175 to 230 degrees and moist and crisp settings, dinner will always be ready when you are. A removable stainless steel shelf or serving tray is included.

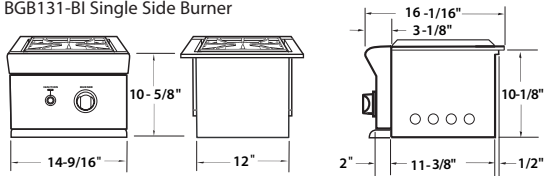
ADDITIONAL FEATURES:

- Removable stainless steel shelf/serving tray
- 500 watts of power input

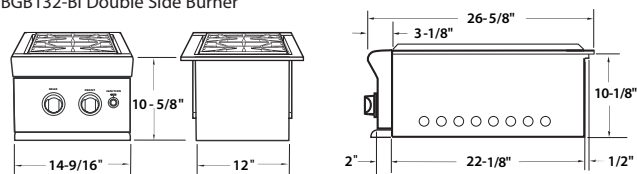


Built-in Side Burner Dimensions

BGB131-BI Single Side Burner

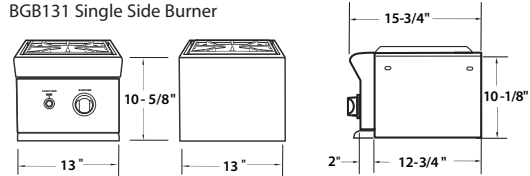


BGB132-BI Double Side Burner

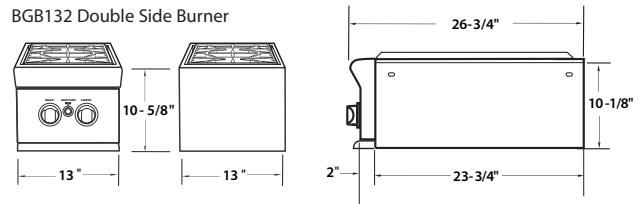


30" Cart Mount Side Burner Dimensions

BGB131 Single Side Burner

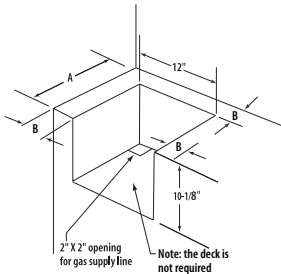


BGB132 Double Side Burner



NOTE: Cart Mount Side Burners are not designed for built-in applications.

Professional Side Burner Island Preparation



MODEL	A	B
BGB131-BI	12"	6" min.
BGB132-BI	22-3/8"	6" min.

MODEL NUMBER	BGB131	BGB131-BI	BGB132	BGB132-BI
30" CART MOUNT	✓		✓	
BUILT-IN		✓		✓
SIDE BURNER(S)	1 @ 17,000 Btu/hr	1 @ 17,000 Btu/hr	2 @ 17,000 Btu/hr	2 @ 17,000 Btu/hr
SHIPPING WEIGHT (LBS)	35.4	35.8	60.6	64.0
SHIPPING DIMENSIONS (HEIGHT X WIDTH X DEPTH)	13.5 x 14.5 x 19	13.5 x 14.5 x 19	16 x 18 x 30	16 x 18 x 30

Ordering Data: Please specify gas type (natural or propane) when ordering.

Gas Requirements:

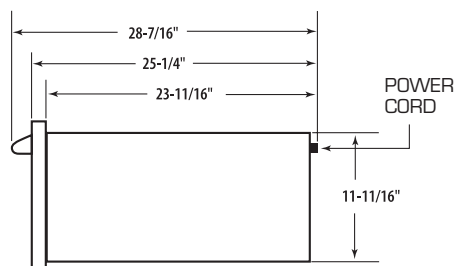
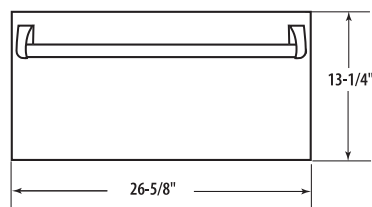
Natural

- 1/2" NPT male with a 3/8" flare adapter
- Operational Pressure: 4" W.C.
- Supply Pressure: 6" to 9" W.C.

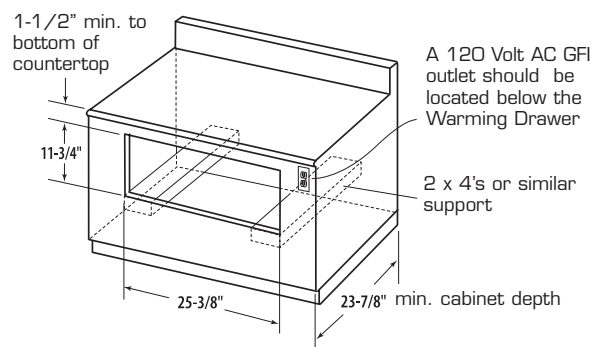
Propane

- 1/2" NPT male with a 3/8" flare adapter
- Operational Pressure: 10" W.C.
- Supply Pressure: 11" to 14" W.C.

Warming Drawer Dimensions



Warming Drawer Island Preparation



MODEL NUMBER	WD-27-SS-OD
DRAWER SPACE	1.6 CUBIC FEET
REMOVABLE SHELF/SERVING TRAY	✓
TYPE 304 STAINLESS STEEL	✓

Power Requirements:

- 120V 60Hz
- 3 wire
- 15 amp circuit

24" Outdoor Beer Dispenser



UT624 24" Outdoor Beer Dispenser (as shown)

Whether it is the first or final touch to your DCS outdoor kitchen, the DCS Outdoor Beer Dispenser is an ultimate indulgence in entertaining. The draft arm, hoses, regulator, CO₂ Tank and Drip Tray are included. You simply need to add beer. The door provides the option of being hinged left or right. The outdoor beer dispenser is the perfect compliment to your DCS professional outdoor kitchen.

ADDITIONAL FEATURES:

- Optional caster kit available
- Optional mug rail available

24" Outdoor Refrigerator



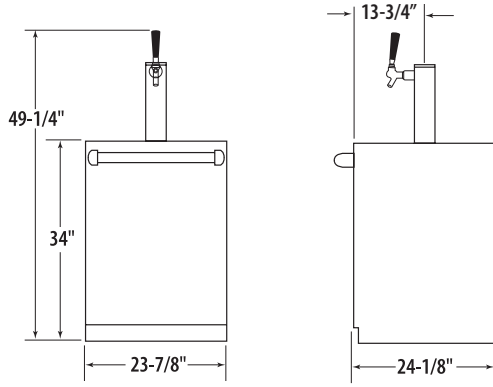
UR624 24" Outdoor Refrigerator (as shown)

Wouldn't it be easier to have access to a large refrigerator in your outdoor kitchen when you're ready for a cold beverage or want to keep a salad fresh? The DCS Outdoor Refrigerator is constructed of 304 grade stainless steel with an expansive 6.1 cubic feet of space that includes two glass shelves and a metal top shelf. The door provides the option of being hinged left or right. Standard features also include the professional-style handle, which serves as a convenient towel rack, and an interior light. It's a necessity in the well-appointed outdoor kitchen.

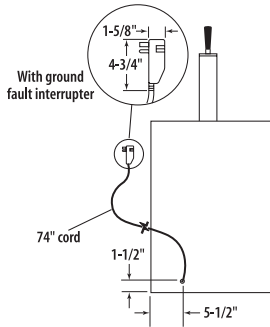
ADDITIONAL FEATURES:

- Automatic defrost
- Interior light
- Optional caster kit available

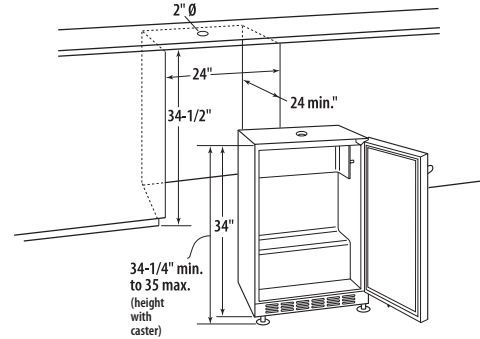
Outdoor Beer Dispenser Dimensions



AC Interface



Outdoor Beer Dispenser Island Preparation

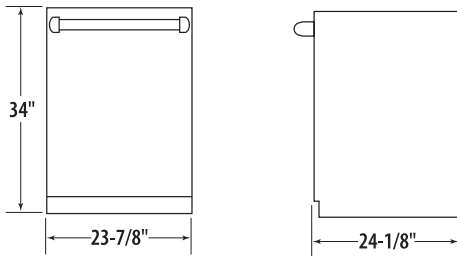


MODEL NUMBER	UT624
UL APPROVED	✓
AVAILABLE FREESTANDING OR BUILT-IN	✓
DRIP TRAY	✓

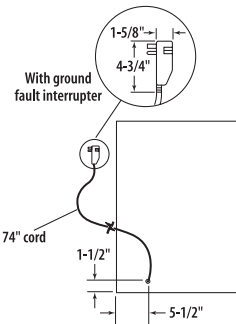
Power Requirements:

- 120V 60Hz
- 1800 watt
- 3 wire
- 15 amp circuit

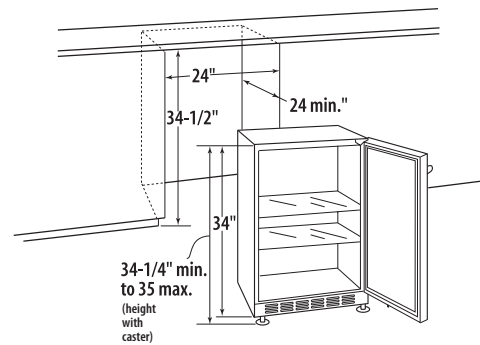
Outdoor Refrigerator Dimensions



AC Interface



Outdoor Refrigerator Island Preparation



MODEL NUMBER	UR624
UL APPROVED	✓
INTERIOR SPACE	6.1 CU. FT.
AVAILABLE FREESTANDING OR BUILT-IN	✓
AUTO DEFFROST	✓

Power Requirements:

- 120V 60Hz
- 1800 watt
- 3 wire
- 15 amp circuit

Access Drawers



ADR48 48" Access Drawer (as shown)

When entertaining in your outdoor kitchen, the last thing you want to do is rush inside for a forgotten item. With the new DCS Access Drawers, you'll have everything you need at your finger tips. These new Drawers offer easy access to your LP tank, marinating meats, and cold beverages.

ADDITIONAL FEATURES:

- Quick access to your grilling tools
- Bulk access to your wood chips and other large items
- Ice tub access to store your cold beverages
- Prep access for storage of cutting board
- Tank access to easily reach your LP tank
- Patent Pending Roller Rack System™
- Available widths – 48", 36", 30", and 24"
- 304 grade stainless steel

Access Doors



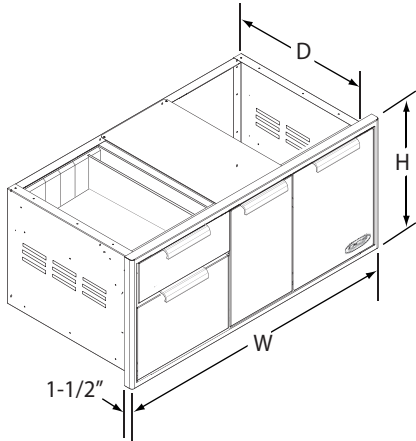
ADN20X48 48" Access Door (as shown)

For added convenience, DCS offers Built-in Access Doors that fit perfectly under your built-in grill. They provide an ideal place for accessories and condiments with a convenient condiment shelf built into the door. Like all other DCS outdoor appliances, the access doors are made of weatherproof 304 grade stainless steel.

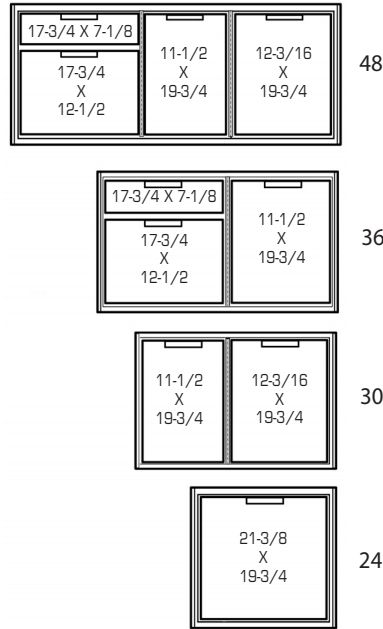
ADDITIONAL FEATURES:

- Easy access to the area underneath the built-in grill
- Available widths – 48", 36", 30" and 24"
- 304 grade stainless steel

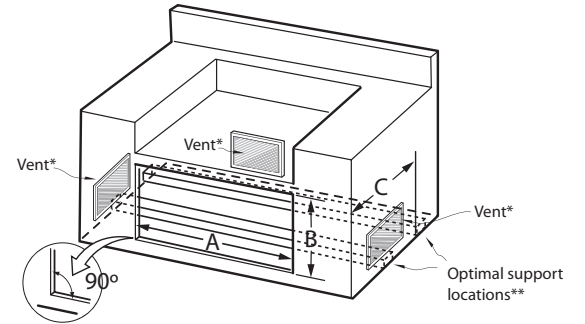
Access drawer dimensions



MODEL NUMBER	W	H	D
ADR48	48"	22"	24-1/4"
ADR36	36"	22"	24-1/4"
ADR30	30"	22"	24-1/4"
ADR24	24"	22"	24-1/4"



Cutout dimensions



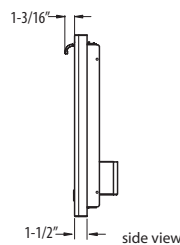
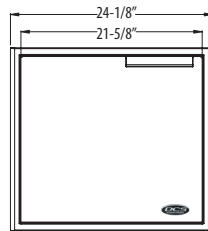
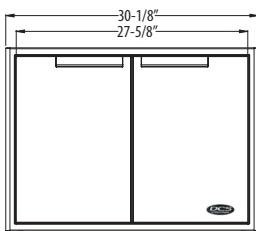
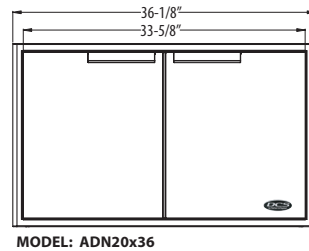
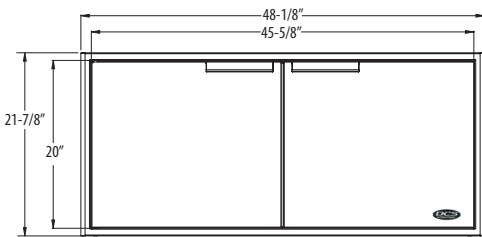
NOTE: The cutout of each corner should be 90° angle in order for the access drawers to fit properly.

* Island installation to use minimum of 3 vents, 10 square inches per vent (typical).

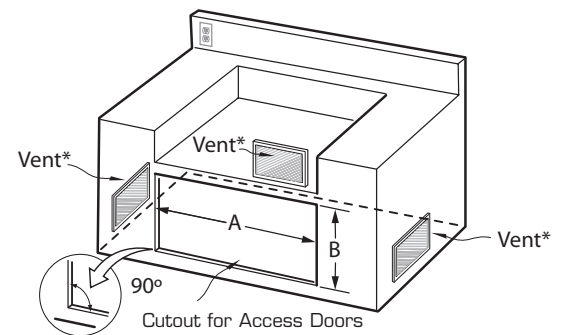
** For proper support and drawer operation, insure that support boards are installed per Installation Guide instructions

MODEL NUMBER	A (+0,-1/8)	B (+1/8,-0)	C
ADR48	46"	20"	24-1/2" (MIN, ALL MODELS)
ADR36	34"	20"	
ADR30	28"	20"	
ADR24	22"	20"	

Access door dimensions



Cutout dimensions



NOTE: The cutout of each corner should be 90° angle in order for the access drawers to fit properly.

* Island installation to use minimum of 3 vents, 10 square inches per vent (typical).

MODEL NUMBER	A (+0,-1/8)	B (+1/8,-0)
ADN20x48	46"	20"
ADN20x36	34"	20"
ADN20x30	28"	20"
ADN20x24	22"	20"

Free Standing Patio Heaters



PHFS-P4 Free Standing Patio Heater (as shown)

It's great to have a portable heat source that you can move seasonally or when your outdoor landscaping changes. The DCS Free Standing Patio Heater easily goes where it will be most useful. With 40,000 Btu's, it provides up to a 20-foot circle of heat, and features an adjustable heat control knob and a safety shut-off. Available for natural gas or liquid propane fuel types and features a weighted base, access door and two wheels for easy moving.

ADDITIONAL FEATURES:

- Durable, weatherproof 304 grade stainless steel construction
- Available for natural gas or liquid propane fuel types
- Electronic spark ignition

Built-in Patio Heaters



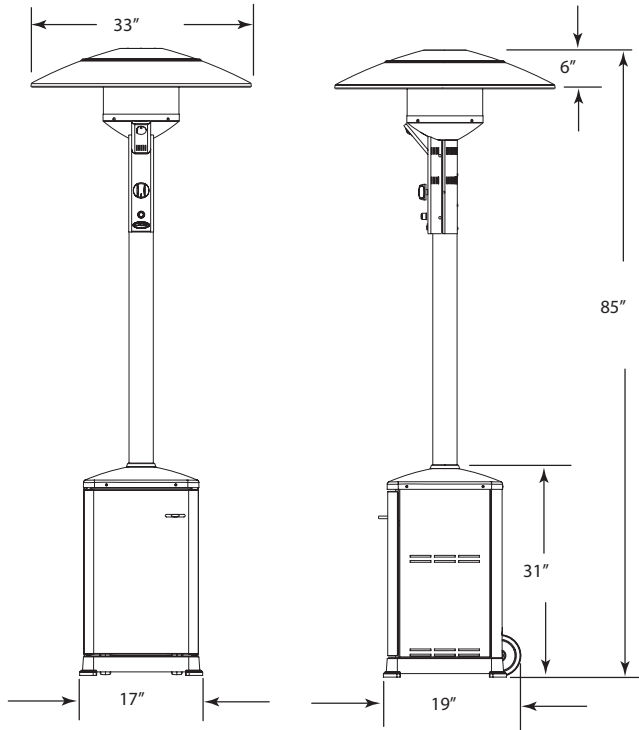
DCS-DRH-48N Built-in Patio Heater (as shown)

An outdoor heater in your favorite restaurant always makes a dinner more enjoyable. You can have the same warm experience in your outdoor kitchen with the DCS Built-in Patio Heater. DCS has a long history of producing safe, efficient and high-performance outdoor heaters for restaurants and hotels, and applied this knowledge to produce heaters for residential outdoor settings. The attractive wall-mounted heater features 56,000 Btu's of comfortable heat up to 15 feet away that extends the season for dining outdoors. Our Built-in Patio Heaters feature durable, weatherproof 304 grade stainless steel construction and are available for natural gas only.

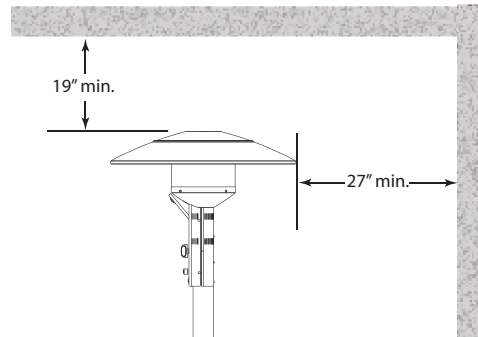
ADDITIONAL FEATURES:

- Mounts easily to eaves
- Includes extension mounting kit
- Available for natural gas only
- Remote control on-off accessory available (DRH-RMT)

Free Standing Patio Heater Dimensions



Minimum Distance to Combustible Material



MODEL NUMBER	PHFS-P4
HEATER BTU'S	40,000
SAFETY SHUT-OFF	✓
304 GRADE STAINLESS STEEL	✓

Ordering Data: Please specify gas type (natural or propane) when ordering.

Gas Requirements:

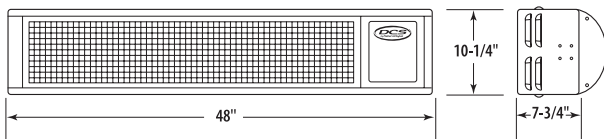
Natural

- 1/2" NPT male with a 3/8" flare adapter
- Operational Pressure: 4" W.C.
- Supply Pressure: 5" to 9" W.C.

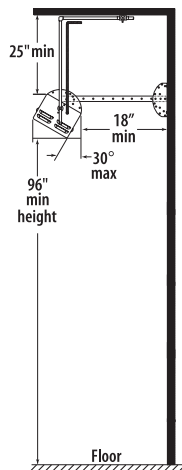
Propane

- 1/2" NPT male with a 3/8" flare adapter
- Operational Pressure: 10" W.C.
- Supply Pressure: 11" to 14" W.C.

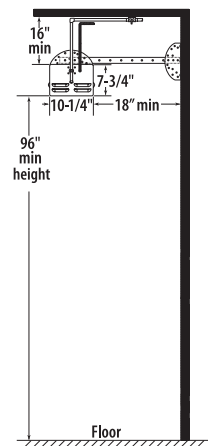
Built-in Patio Heater Dimensions



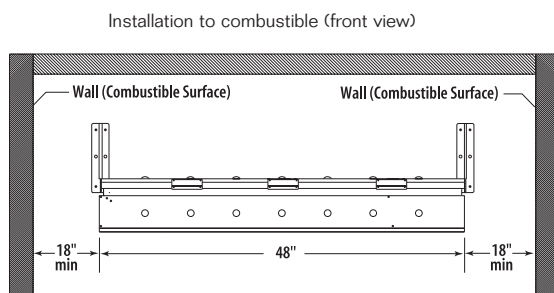
30° installation to combustible (side view)



0° installation to combustible (side view)



Minimum Distance to Combustible Material



MODEL NUMBER	DCS-DRH-48N
HEATER BTU'S	56,000
EXTENSION MOUNTING KIT	✓
TYPE 304 STAINLESS STEEL	✓

Gas Requirements:

Natural

- Max. Pressure: 1/2 psig
- Min. Pressure: 6" W.C.
- Manifold Pressure: 5" W.C.
- Internal 5" W.C. regulator

Grilling Tools



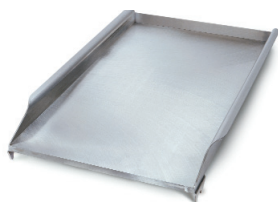
The exclusive 5-piece stainless steel grilling tool set (BGA-GT5) is made specifically to use with the DCS professional grills. The five pieces include: spatula with one serrated edge, a set of tongs, a large fork, a double-sided grates scraper and cleaning brush, and a Grease Management System® trough scraper. All tools are made of heavy-gauge stainless steel with ergonomic, slip-resistant handles. The tool set comes with a heavy-duty canvas grilling apron with deep pockets to accommodate every tool.

Custom Chopping Boards



An essential accessory in preparing food to be grilled is a sturdy chopping board. DCS offers chopping boards in both solid maple (BGA-MCB) and Corian® (BGA-CCB). Both are custom-made to fit perfectly in the side shelf of the DCS 48", 36" and 30" professional grill carts.

Drop-on Griddle Plate



Add pancakes and bacon to your outdoor breakfast menu with ease. The Drop-On Griddle Plate (BGA-GP) is made of commercial quality plated stainless steel and features a "Blanchard" ground surface that insures a level cooking surface and even heat distribution.

Wok and Wok Ring



Preparing stir-fry for dinner in your outdoor kitchen is another savory possibility with DCS professional side burners. The DCS wok (CW-20) is stainless steel with a commercial-style rounded bottom and includes an aluminum lid with hardwood handle (Wok Ring required for use).

The DCS wok ring (DCS-WRGS) is designed to fit securely on top of the surface grates on the DCS side burners to facilitate wok cooking. The wok ring is constructed of stainless steel and accommodates most commercial-style woks.

Grill Covers



To protect and care for the DCS professional grill all year long, we offer grill covers for all sizes and models of DCS built-in and freestanding grills. To offer maximum protection from the elements, they are heavy-duty, black lined vinyl with a Velcro opening in the front.